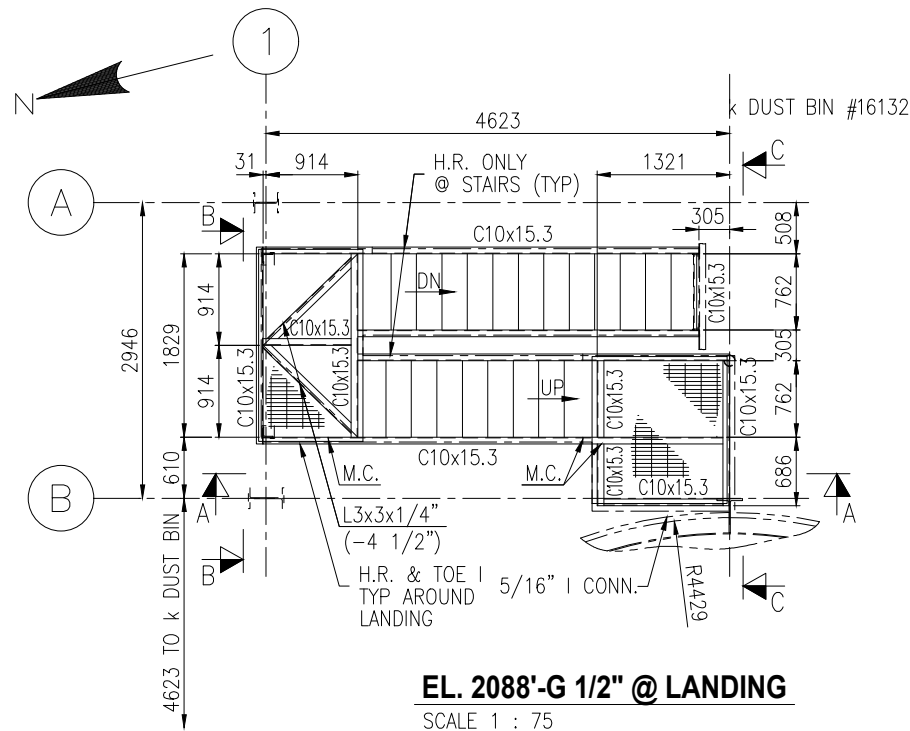
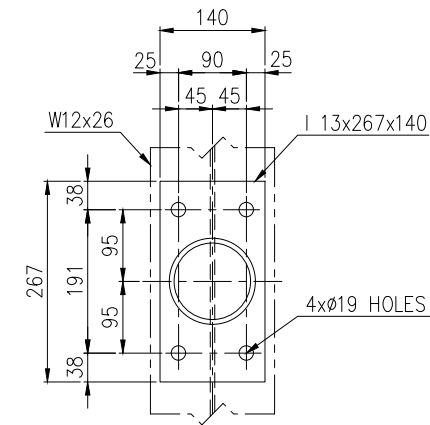


**SECTION a-a**  
SCALE 1 : 10

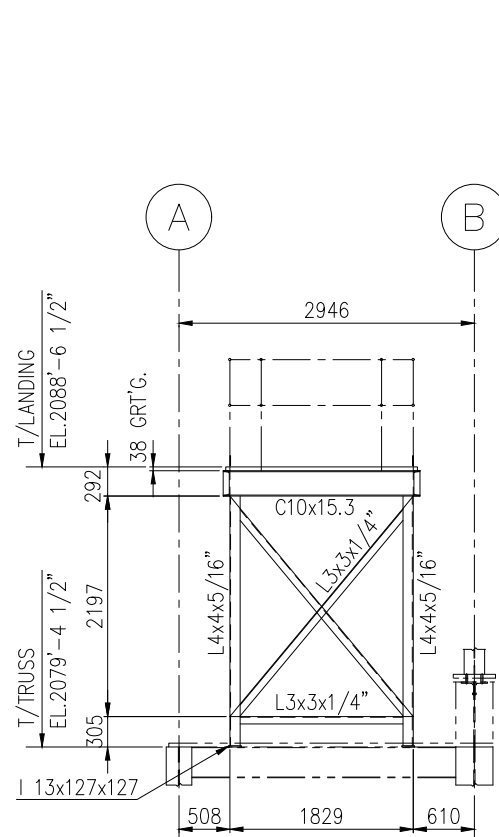


**EL. 2088'-G 1/2" @ LANDING**  
SCALE 1 : 75

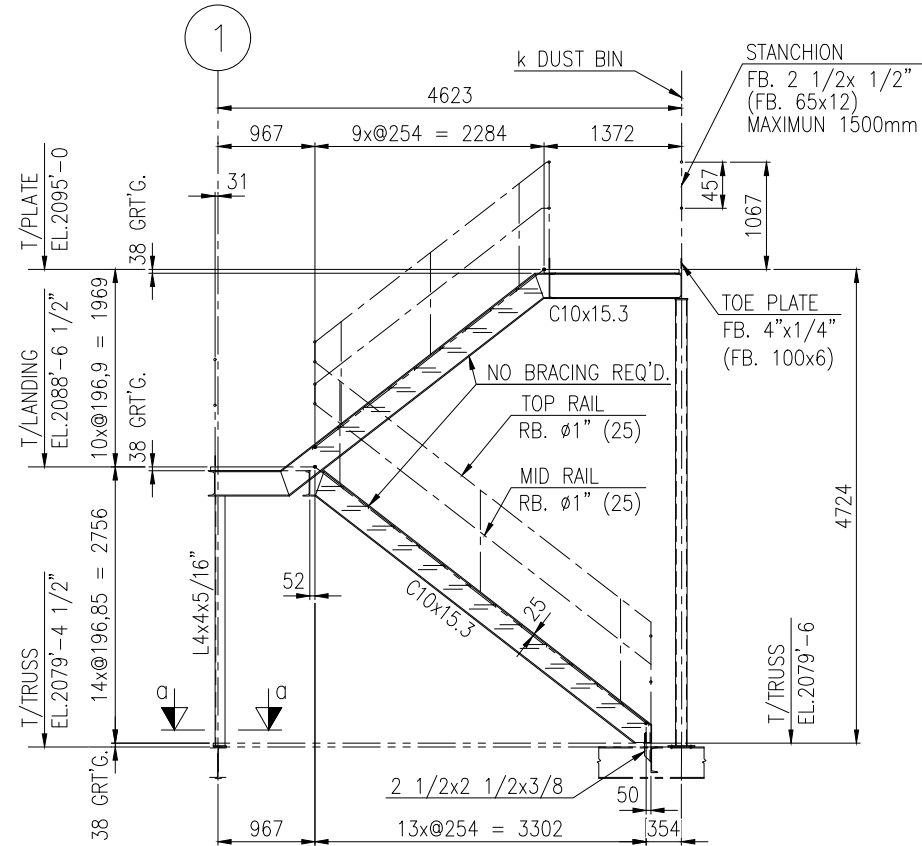


**SECTION c-c**  
SCALE 1 : 10

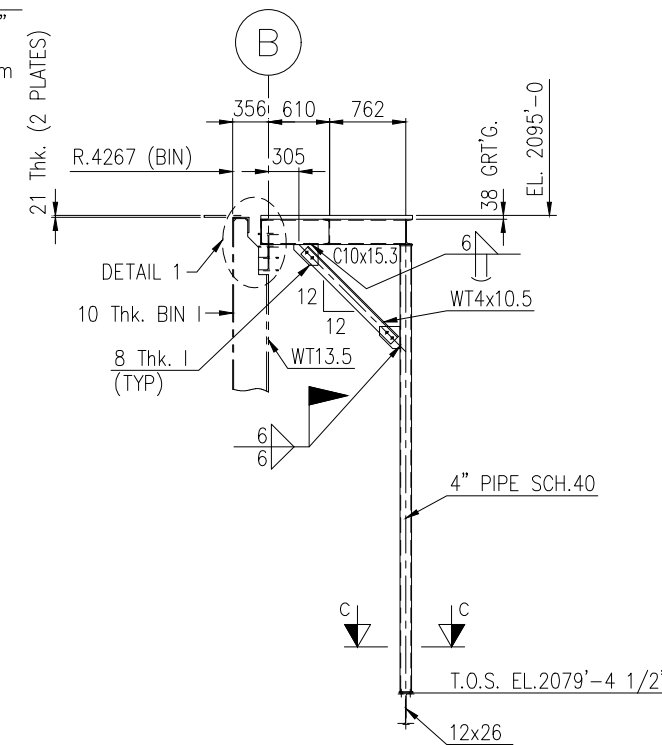
MEMBER LIST	
INCHES	MILLIMETERS
W12x26	311x165x6.35x9.53
C10x15.3	254x67x6.35x11.11
WT4x10.5	105x133x6.35x9.53
L4x4x5/16	102x102x7.9
L3x3x1/4	76.2x76.2x6.35
4" PIPE SCH.40	Ø114.3x6.02



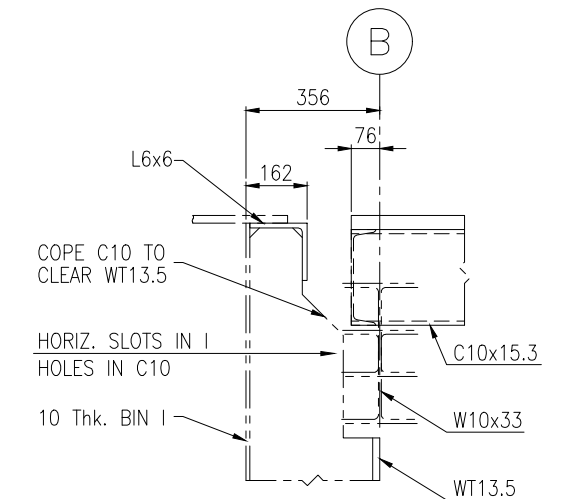
**SECTION B-B**  
SCALE 1 : 75



**SECTION A-A**  
SCALE 1 : 75



**SECTION C-C**  
SCALE 1 : 75



**DETAIL "1"**  
SCALE 1 : 20

**PT. YODYA KARYA (Persero)**  
Engineering Division

DISCIPLINE	STRUCTURE	APPROVAL ISSUE	CONSTR ISSUE
NAME	DATE	NAME	DATE
DESIGNED	SOFIAN T. 19.03.24	APPROVED	
DRAWN	FARIS H. 19.03.24	APPROVED	
CHECKED		APPROVED	
SCALE	1 : 75	APPROVED	

ENGINEERING CHARGE CODE: CONTRACT NO. 500 M.T. DUST BIN, EL.2088'-6 1/2" @ LANDING

REV	DESCRIPTION	DATE	DRAWN	CHK	DSGN	REVIEW	REV	DESCRIPTION	DATE	DRAWN	CHK	DSGN	REVIEW	REV	DESCRIPTION	DATE	DRAWN	CHK	DSGN	REVIEW	BY	DATE	DRAWING NUMBER	REV
							A	ISSUED FOR REVIEW	19.03.'24	FH		ST										20.03.'24	220-5411-C-003	A

NO REFERENCE DRAWING

SCALE (A3 SIZE): 1=75, JUNO

**VALE**  
PT VALE INDONESIA TBK

ROTARY DRYER #3  
STRUCTURAL STEELWORK  
500 M.T. DUST BIN, EL.2088'-6 1/2" @ LANDING

CAD FILE: 220-5411-C-003