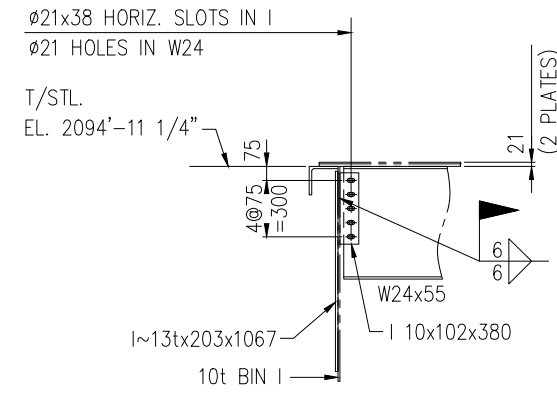
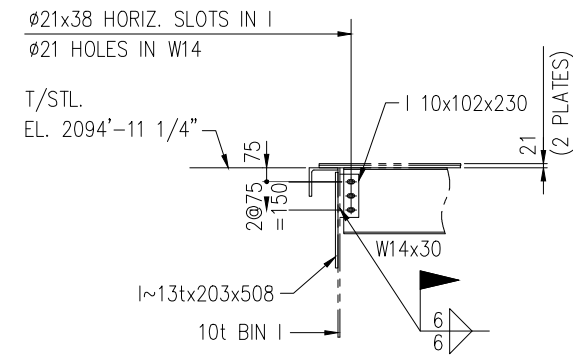


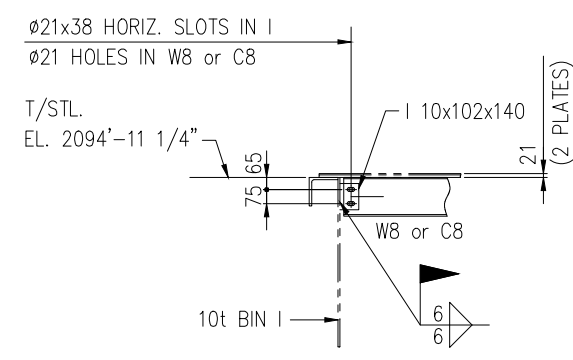
PLAN @ EL. 2095-0 T/BIN
SCALE 1 : 75



SECTION A-A
SCALE 1 : 40



SECTION B-B
SCALE 1 : 40



SECTION C-C
SCALE 1 : 40

MEMBER LIST	
INCHES	MILLIMETERS
W24x55	600x178x9.53x12.7
W14x30	352x171x6.86x9.73
W8x24	201x165x6.22x10.11
W8x18	206x133x6.35x7.94
W6x25	162x154x8.13x11.58
C8x11.5	(203x57x6.35x9.53)

NOTE A
SEAL WELD FLUSH TO TOP FLG. AND GRIND SMOOTH. (HOLE SIDE OF BEAM ONLY) TYPICAL 12 PLACES

PT. YODYA KARYA (Persero)
Engineering Division

DISCIPLINE	STRUCTURE		APPROVAL ISSUE		CONSTR ISSUE	
	NAME	DATE	NAME	DATE	NAME	DATE
DESIGNED	SOFIAN T.	14.03.24	APPROVED			
DRAWN	FARIS H.	14.03.24	APPROVED			
CHECKED			APPROVED			
SCALE	1 : 75		APPROVED			
ENGINEERING CHARGE CODE	CONTRACT NO.		500 M.T. DUST BIN, PLAN-PLATF. EL. 2095'-0 T/BIN			

REV	DESCRIPTION	DATE	DRAWN	CHK	DSGN	REVIEW	REV	DESCRIPTION	DATE	DRAWN	CHK	DSGN	REVIEW	REV	DESCRIPTION	DATE	DRAWN	CHK	DSGN	REVIEW	BY	DATE
A	ISSUED FOR REVIEW	14.03.'24	FH		ST																	14.03.'24
NO	REFERENCE DRAWING																					

PT VALE INDONESIA TBK

ROTARY DRYER #3
STRUCTURAL STEELWORK
500 M.T. DUST BIN, PLAN-PLATF. EL. 2095'-0 T/BIN

DRAWING NUMBER	REV
220-5411-C-002	A
CAD FILE: 220-5411-C-002	