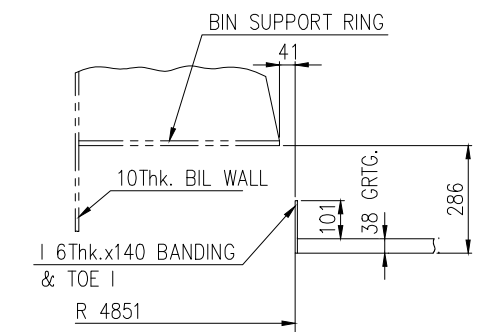
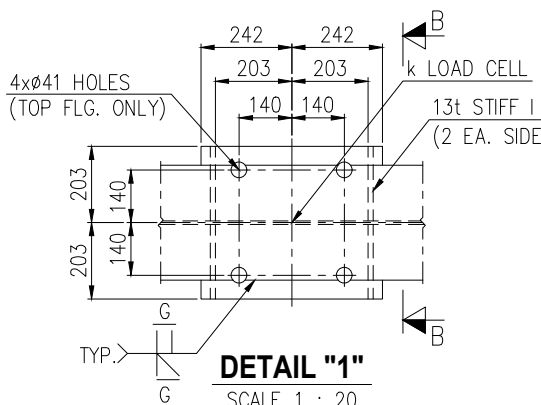


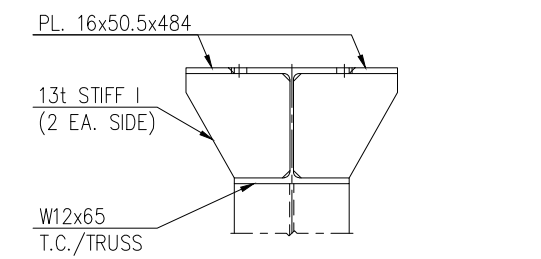
**PLAN - PLATFORM EL. 2079'-6**  
SCALE 1 : 75



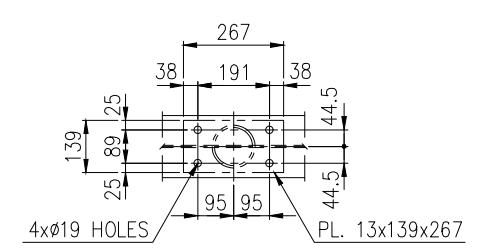
**SECTION A-A**  
SCALE 1 : 20



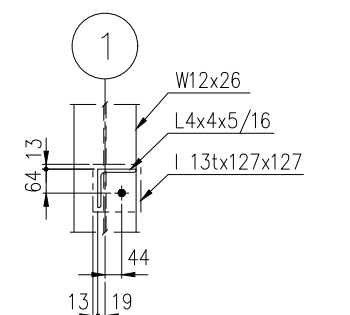
**DETAIL "1"**  
SCALE 1 : 20



**SECTION B-B**  
SCALE 1 : 20



**DETAIL "2"**  
SCALE 1 : 20



**DETAIL "3"**  
SCALE 1 : 20

MEMBER LIST	
INCHES	MILLIMETERS
(W14x90)	(356x368x10.67x17.48)
W12x65	308x305x9.91x15.39
W12x26	304x165x6.10x10.16
W12x19	308x102x6.35x9.53
W10x33	248x202x7.42x11
(C10x15.3)	(254x67x6.35x11.11)
(C8x11.5)	(203x57x6.35x9.53)
WT5x11	130x146x6.35x9.53
L4x4x5/16	102x102x7.9
L3 1/2x3 1/2x5/16	88.9x88.9x7.9
L3x3x1/4	76.2x76.2x6.35
4" PIPE SCH.40	ø114.3x6.02

**PT. YODYA KARYA (Persero)**  
Engineering Division

DISCIPLINE	STRUCTURE		APPROVAL ISSUE		CONSTR ISSUE	
	NAME	DATE	NAME	DATE	NAME	DATE
DESIGNED	SOFIAN T.	14.03.24	APPROVED			
DRAWN	FARIS H.	14.03.24	APPROVED			
CHECKED			APPROVED			
SCALE	1 : 75		APPROVED			
ENGINEERING CHARGE CODE	CONTRACT NO.		500 M.T. DUST BIN, PLAN-PLATFORM EL. 2079'-6			

REV	DESCRIPTION	DATE	DRAWN	CHK	DSGN	REVIEW	REV	DESCRIPTION	DATE	DRAWN	CHK	DSGN	REVIEW	REV	DESCRIPTION	DATE	DRAWN	CHK	DSGN	REVIEW	BY	DATE
							A	ISSUED FOR REVIEW	14.03.'24	FH		ST										

ROTARY DRYER #3  
STRUCTURAL STEELWORK  
500 M.T. DUST BIN, PLAN-PLATFORM EL. 2079'-6

DRAWING NUMBER	REV
220-5411-C-001	A
CAD FILE: 220-5411-C-001	