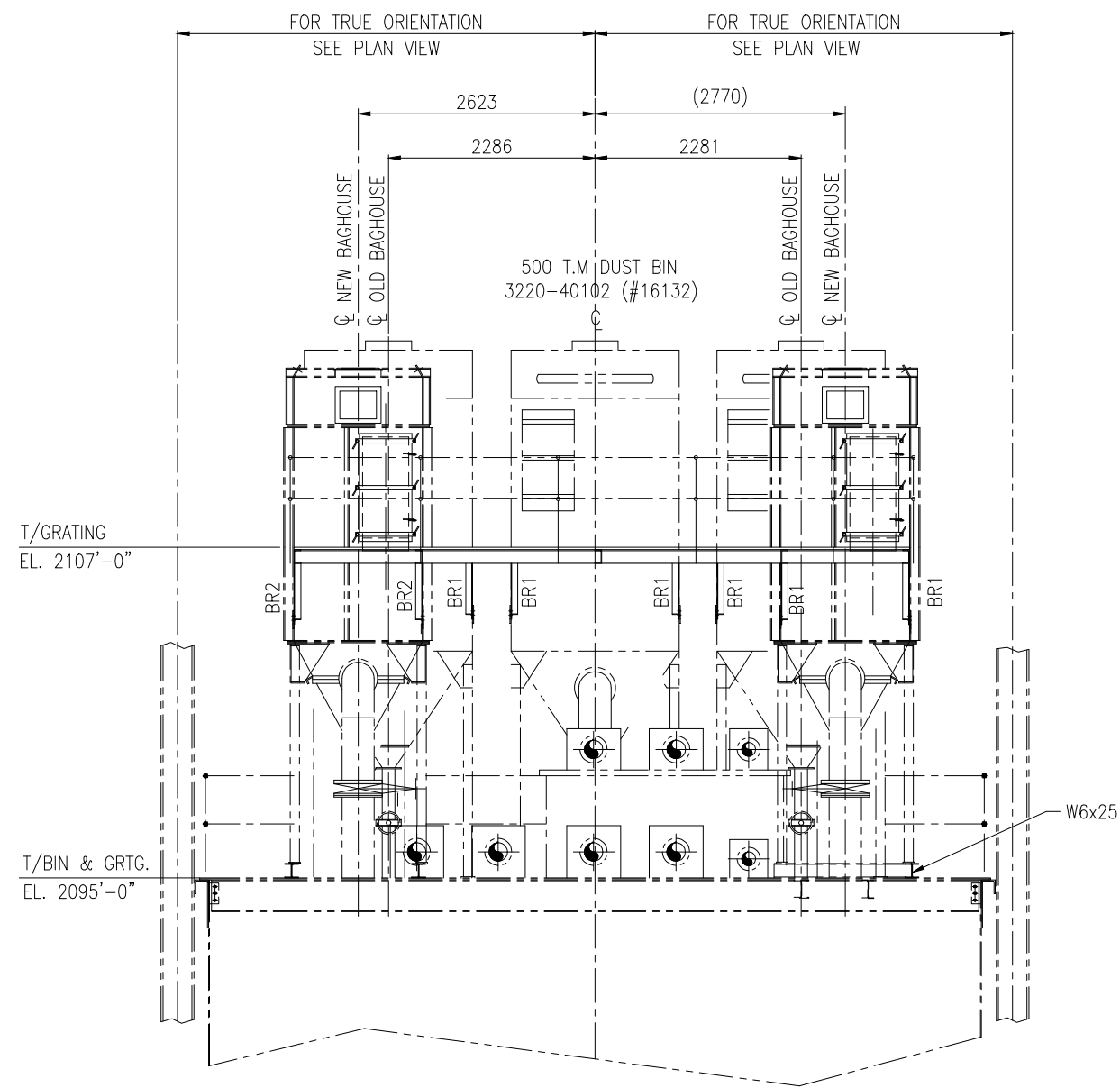
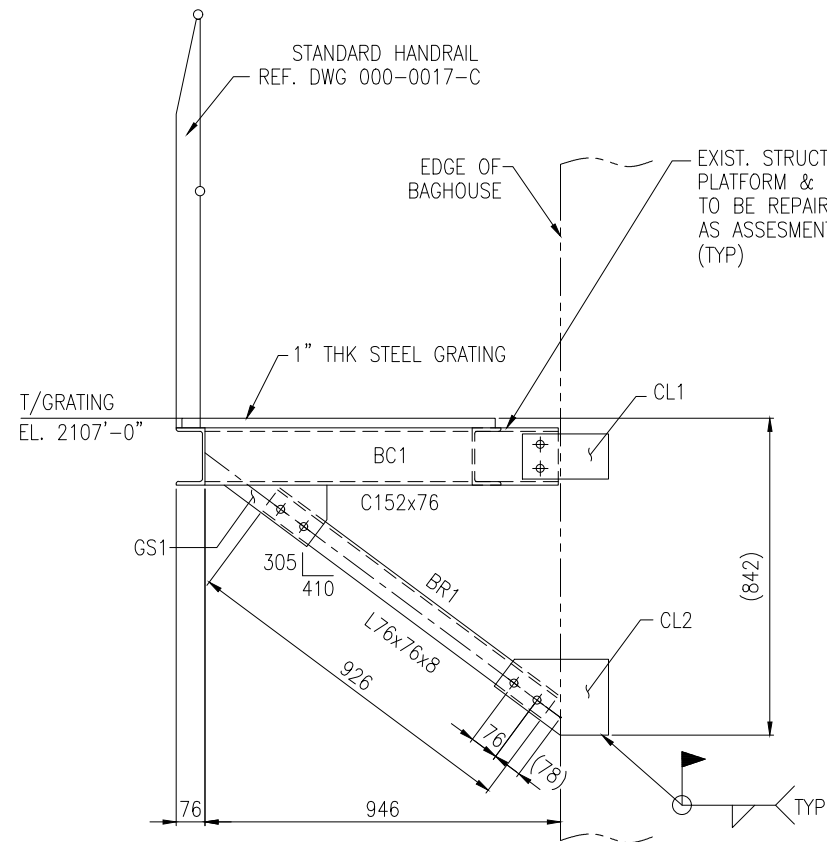


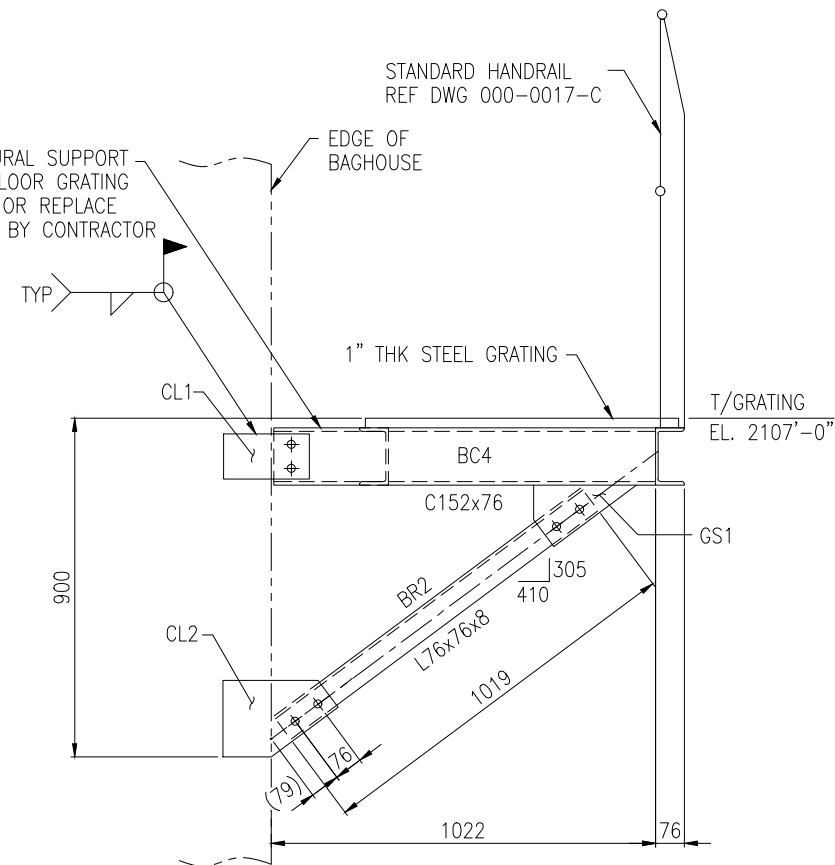
MEMBER LIST	
INCHES	MILLIMETERS
W6x25	162x154x8.13x11.58
MC6x15.3	152x76x7.94x12.7
L3x3x5/16	76x76x8



**SECTION A-A**  
SCALE 1 : 75



**SECTION B-B**  
SCALE 1 : 20



**SECTION C-C**  
SCALE 1 : 20

- NOTE :**
1. ALL MATERIALS TO BE ASTM A36, U.N.O
  2. ALL WELDS TO BE 6 CONTINUOUS FILLET WELD, U.N.O
  3. ALL HOLES TO BE 21 DIA. HOLES FOR 19 UNC BOLT GRADE 8, U.N.O
  4. ALL GUSSET & CLEAT TO BE 13 THK. PLATE, U.N.O
  5. ALL STEEL WORK SHALL BE PAINTED AS PER PT INCO STANDARD AND SPECIFICATION (CSP 049)
  6. BAGHOUSE PLATF SERVICE PLAN SEE DWG. NO. 220-10926-C-001

		<b>PT. YODYA KARYA (Persero)</b>				
		Engineering Division				
DISCIPLINE	STRUCTURE		APPROVAL ISSUE		CONSTR ISSUE	
	NAME	DATE	NAME	DATE	NAME	DATE
DESIGNED	SOFIAN T.	14.03.24	APPROVED			
DRAWN	FARIS H.	14.03.24	APPROVED			
CHECKED			APPROVED			
SCALE	1 : 75		APPROVED			
ENGINEERING CHARGE CODE	CONTRACT NO.		500 M.T. DUST BIN, BAGHOUSE PLATF SERVICES SECT.			

REV	DESCRIPTION	DATE	DRAWN	CHK	DSGN	REVIEW	REV	DESCRIPTION	DATE	DRAWN	CHK	DSGN	REVIEW	REV	DESCRIPTION	DATE	DRAWN	CHK	DSGN	REVIEW	REV	DESCRIPTION	DATE	DRAWN	CHK	DSGN	REVIEW	REV
A	ISSUED FOR REVIEW	14.03.'24	FH	.	ST	.	A							A							A							



ROTARY DRYER #3  
STRUCTURAL STEELWORK  
500 M.T. DUST BIN, BAGHOUSE PLATF SERVICES SECT.

DRAWING NUMBER	REV
220-10926-C-002	A
CAD FILE: 220-5411-C-002	